

PLC type 8ch triple play filter array module



Applications

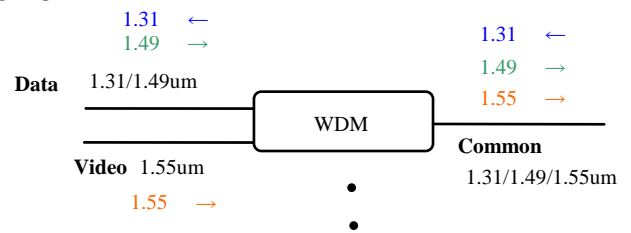
- Video signals distribution in optical CATV
- Usable for PON (Passive Optical Network)

Descriptions

PS601 is the compact multi-channel filter array module using PLC and functions to combine video and data signals.

Features

- Operating three window (1310, 1490, and 1555nm communication window)
- Suitable for constructing Passive Optical Networks.
- Telcordia GR-1209, GR-1221 under test
- Compact size.

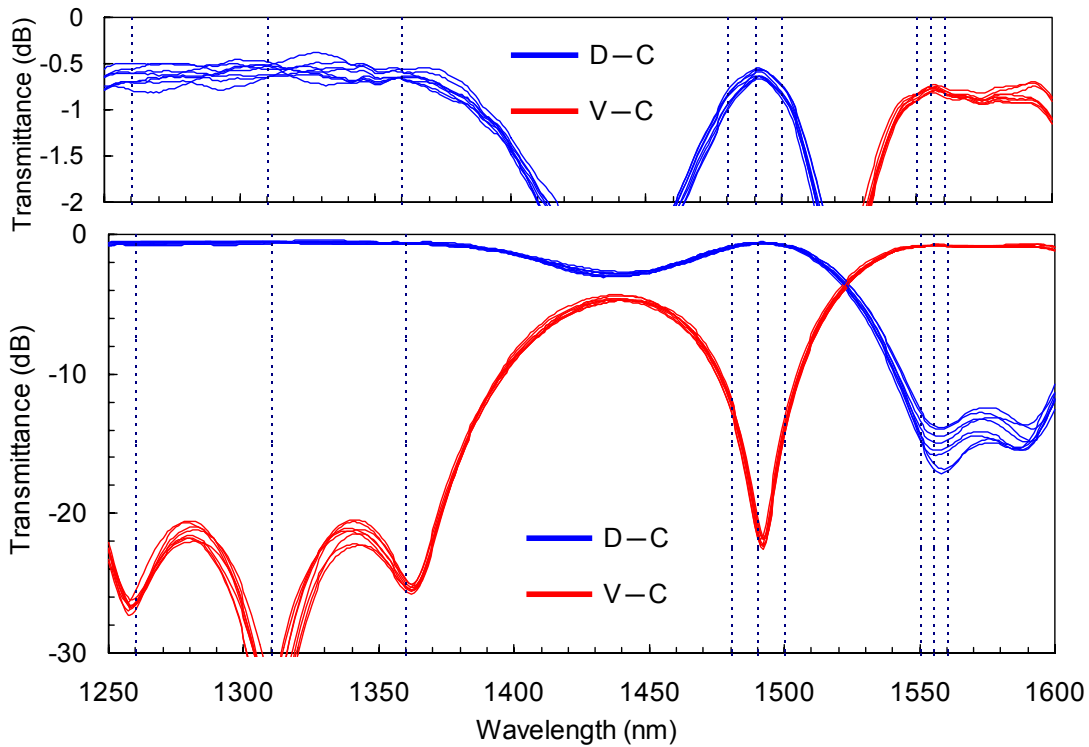


Specifications

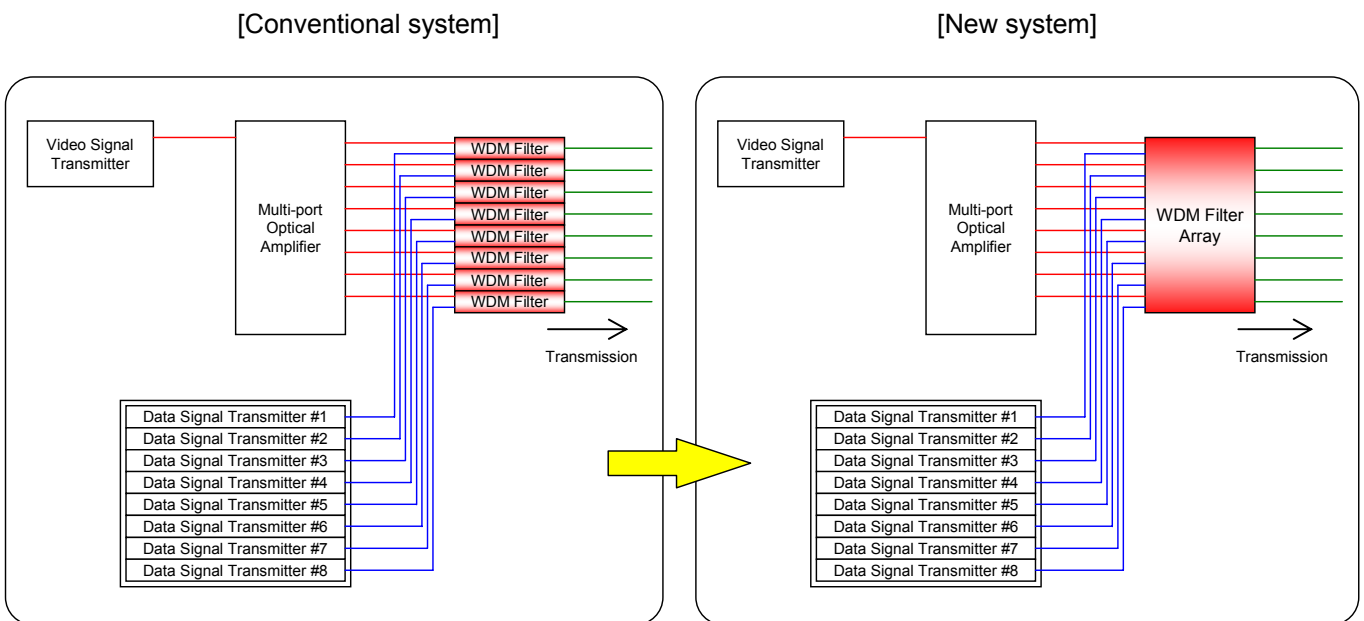
Parameter	Port	Specification
Configuration	-	8ch
Fiber type	-	φ0.25 mm single-mode fiber
Operating Wavelength	-	1260 ~ 1360 nm, 1480~ 1500nm and 1550~ 1560 nm
Operating Temperature	-	-10 ~ +55 °C
Storage Temperature	-	-40 ~ +85 °C
Insertion Loss (dB) ^{*1)}	C→D(1310)	≤ 1.2 (Typ. 0.7)
	D→C(1490)	≤ 1.4 (Typ. 1.0)
	V→C(1555)	≤ 1.2 (Typ. 0.8)
Isolation (dB) ^{*1)}	C→V(1310)	≥ 10 (Typ.19)
	C→V(1490)	≥ 7.0 (Typ.11)
	C→D(1555)	≥ 10 (Typ.12.5)
	V→D(1555)	≥ 50
	D→V(1310)	≥ 50
	D→V(1490)	≥ 50
PDL (dB p-p) ^{*1)}	All port	≤ 0.5 (Typ.0.2)
Return Loss (dB) ^{*1)}	All port	≥ 50
Size (mm)	-	W6.4 x H8.0 x L 116

*1) Without connector

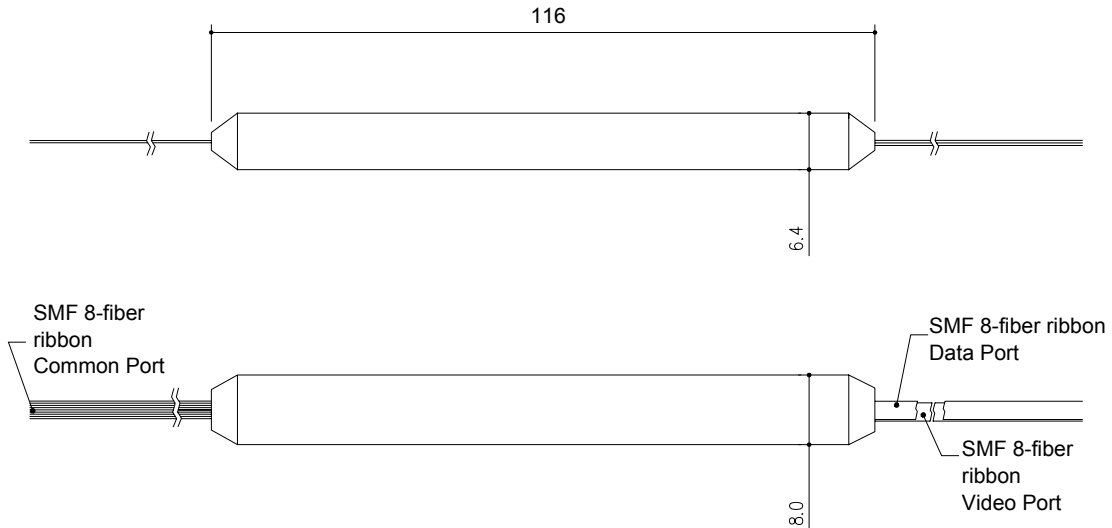
Performance example



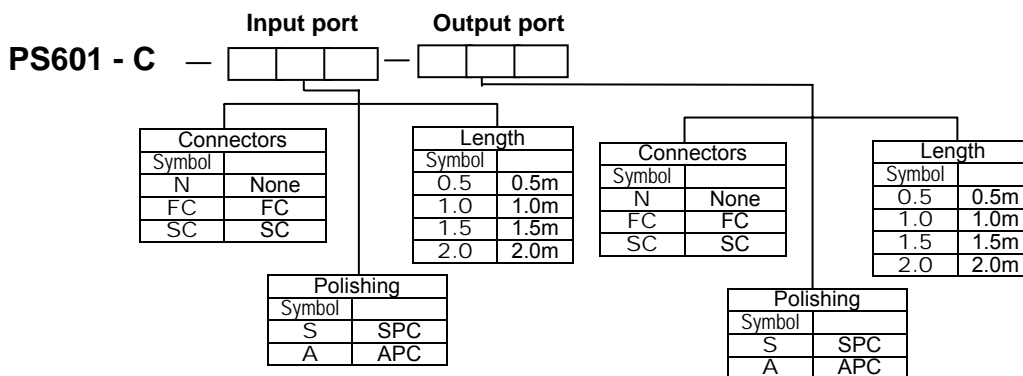
System structure (reference)



Outline Drawing



Ordering Information



*Standard type: PS601-C-N2.0-N2.0

Furukawa Electric reserves the right to improve, enhance and modify the features and specifications of FITEL products without prior notifications.



Japan
Head Office
 2-2-3, Marunouchi
 Chiyoda-ku
 Tokyo 100-8322, JAPAN
 Tel: +81-3-3286-3253
 Fax: +81-3-3286-3978
<http://www.furukawa.co.jp>
 Email:comsales@ho.furukawa.co.jp

North America
OFS Fitel, LLC
Specialty Photonics Division
 25 Schoolhouse Road
 Somerset, NJ 08873 USA
 Tel: +1-732-748-7402
 Fax: +1-732-748-7436
<http://www.SpecialtyPhotonics.com>
 E-mail:info@SpecialtyPhotonics.com

Europe
Furukawa Electric Europe Ltd.
 3rd Floor, Newcombe House
 43-45 Notting Hill Gate
 London W11 3FE, UK
 Tel: +44-20-7221-6000
 Fax: +44-20-7313-5310
<http://www.furukawa-fitel.co.uk>
 E-mail:sales@furukawa-fitel.co.uk

ASIA
Furukawa Electric Hong Kong Ltd.
 Suite 2606, Shell Tower,
 Times Square, 1 Matheson Street,
 Causeway Bay, Hong Kong
 Tel: 852-2512-8938
 Fax: 852-2512-9717
<http://www.fehk.com.hk/>
 E-mail: guest@fehk.cn