

Compact EDFA with fast transient control



Applications

- Access, Metro, and Long haul networks
- Single-channel or DWDM networks
- Compensation of switch, OADM or other components loss
- Transmitter and receiver amplification

Descriptions

- ErFA36000 series are fully intelligent erbium doped fiber amplifier (EDFA) with fast transient control.
- Fast transient control minimizes transmission penalties when signal channels are added or dropped in the networks.
- Output of up to 17dBm is available and integrated variable optical attenuator (VOA) enables the EDFA to operate in dynamic input power range.
- EDFA can be controlled flexibly by fully software using RS232 command.

Features

- Fully integrated control board with fast transient control
- RS-232 command interface
- Fully software configurable operation
- Variable gain capability using integrated VOA
- Up to +17dBm output power
- Low power consumption
- Small package size (70 x 90 x 20mm without heatsink)

Environmental conditions

Items	Symbol	Specification
Operating temperature	Top	-5 – 70 deg.C
Operating humidity	RHop	20 –85 %RH (*1)
Storage temperature	Tstg	-40 – 85 deg.C
Storage humidity	RHstg	0 –85 %RH (*1)

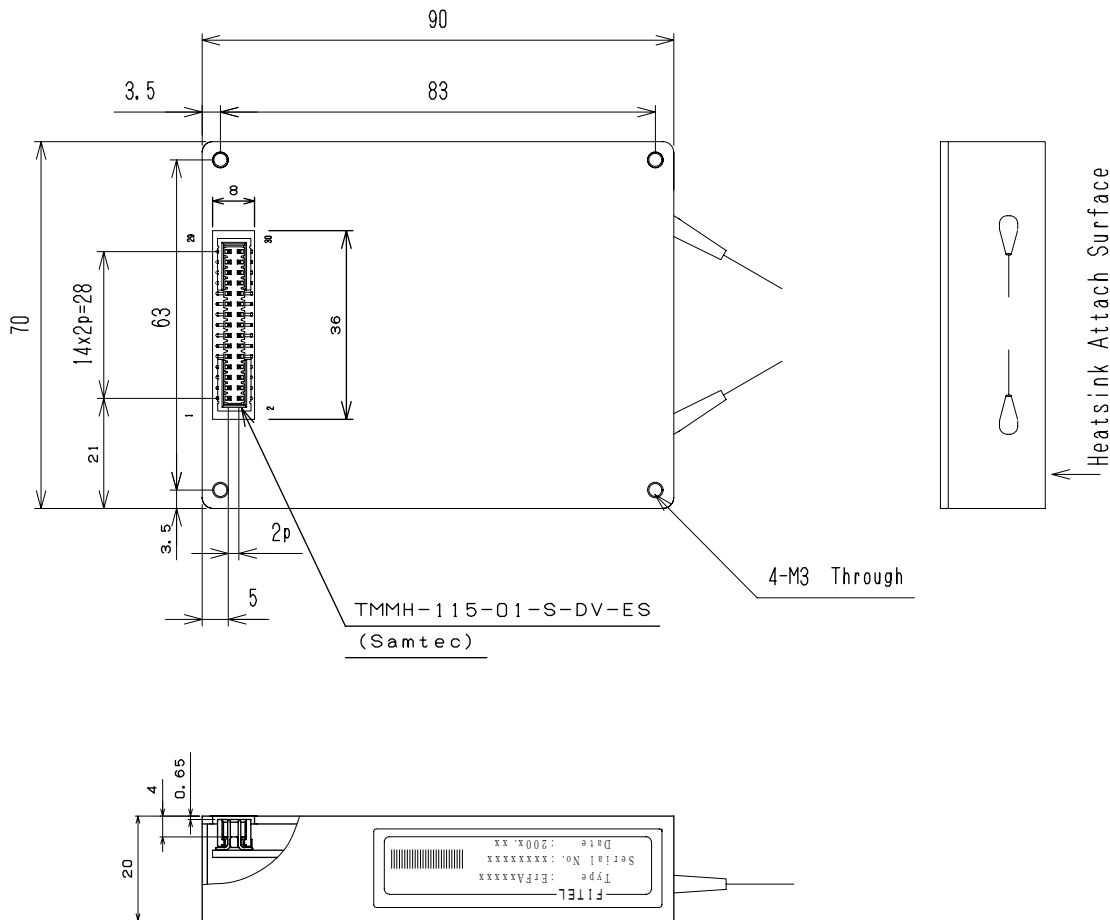
*1: No dew condensation

Dimensions and interfaces

Items	Specification
Dimension	70 x 90 x20mm(*2)
Electrical Connector	Samtec TMMH-115-01-S-DV-ES
Optical Connector	FC/SC/MU/LC

*2: Not include heatsink

Outline drawing



Electrical pin configuration

Pin No.	Description	Pin No.	Description
1	+5V	2	+5V
3	+3.3V	4	+3.3V
5	GND	6	GND
7	Serial Input(RX)	8	Serial Output(TX)
9	GND	10	GND
11	No Connection	12	Reset
13	Amplifier Disable	14	Output Power Mute
15	EDFA Case Temperature Alarm	16	Common Alarm
17	Pump Temperature Alarm	18	Pump Bias Alarm
19	Loss of Input Alarm	20	Loss of Output Alarm
21	Input Power Monitor Ground	22	Output Power Monitor Ground
23	Input Power Monitor	24	Output Power Monitor
25	GND	26	GND
27	NC	28	NC
29	+5V	30	+5V

Ordering information

Detailed specification is available from any Furukawa sales representative. Furukawa provide comprehensive support with the design of fully customized solutions.

Safety information



Furukawa Electric reserves the right to improve, enhance and modify the features and specifications of FITEL products without prior notifications.

FURUKAWA ELECTRIC CO., LTD.

Japan
Head Office
 2-2-3, Marunouchi
 Chiyoda-ku
 Tokyo 100-8322, JAPAN
 Tel: +81-3-3286-3253
 Fax: +81-3-3286-3978
<http://www.furukawa.co.jp>
 Email: comsales@ho.furukawa.co.jp

North America
OFS Fitel, LLC
 Specialty Photonics Division
 25 Schoolhouse Road
 Somerset, NJ 08873 USA
 Tel: +1-732-748-7402
 Fax: +1-732-748-7436
<http://www.SpecialtyPhotonics.com>
 E-mail: info@SpecialtyPhotonics.com

Europe
Furukawa Electric Europe Ltd.
 3rd Floor, Newcombe House
 43-45 Notting Hill Gate
 London W11 3FE, UK
 Tel: +44-20-7221-6000
 Fax: +44-20-7313-5310
<http://www.furukawa-fitel.co.uk>
 E-mail: sales@furukawa-fitel.co.uk

ASIA
Furukawa Electric Hong Kong Ltd.
 Suite 2606, Shell Tower,
 Times Square, 1 Matheson Street,
 Causeway Bay, Hong Kong
 Tel: 852-2512-8938
 Fax: 852-2512-9717
<http://www.fehk.com.hk/>
 E-mail: guest@fehk.cn