

Compact amplifier with cooled pump (980nm pumped version)



Applications

- Long haul and Metro networks
- Single-channel or small number of channel networks
- C-band

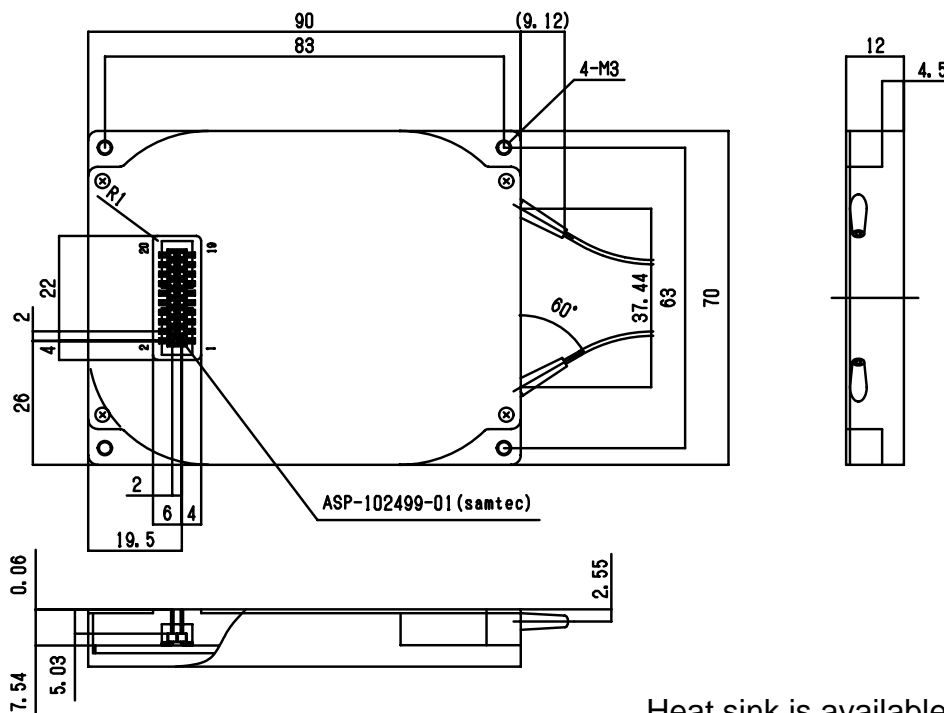
Descriptions

- ErFA21000 series is designed for a wide variety of single channel or small number of channel applications.
- Compact size (90mm x 70mm x 12mm)

Features

- Low noise figure
- Input monitor and/or output monitor are available

Outline drawing

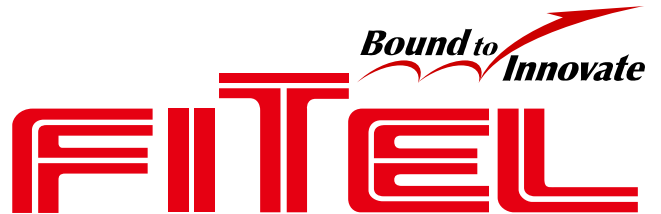


Heat sink is available if necessary.

Data Sheet

ErFA 21000 Series

Mar. 2010



Environmental conditions

Items	Symbol	Specification
Operating temperature	Top	0 – 60 deg.C
Operating Humidity	RHop	<85 %RH (*1)
Storage temperature	Tstg	-40 – 85 deg.C
Storage Humidity	RHstg	<85 %RH (*1)

*1: No dew condensation

Specifications

Items	Symbol	ErFA21003	ErFA21010
Wavelength range	λ	1530 - 1562 nm	
Input power	Pin	>-10 dBm	-40 - -20dBm
Output power	Pout	>+15dBm	-
Gain	Gain	-	>25dB
Noise figure	NF	<6.0dB(*2)	<6.0dB
Polarization dependence of output power	PDG	<0.3dB	
Polarization mode dispersion	PMD	<0.5dB	
Operating laser forward current	If,BOL	<390mA	<250mA
Operating laser forward voltage	Vf,BOL	<2.5V	
Input monitor responsivity	Rin	10 - 30 mA/W	25 - 75 mA/W
Polarization sensitivity of input monitor	PDRin	<0.3dB	
Output monitor responsivity	Rout	10 - 30 mA/W	
Polarization sensitivity of output monitor	PDRout	<0.3dB	
Optical return loss	ORL	<40dB	

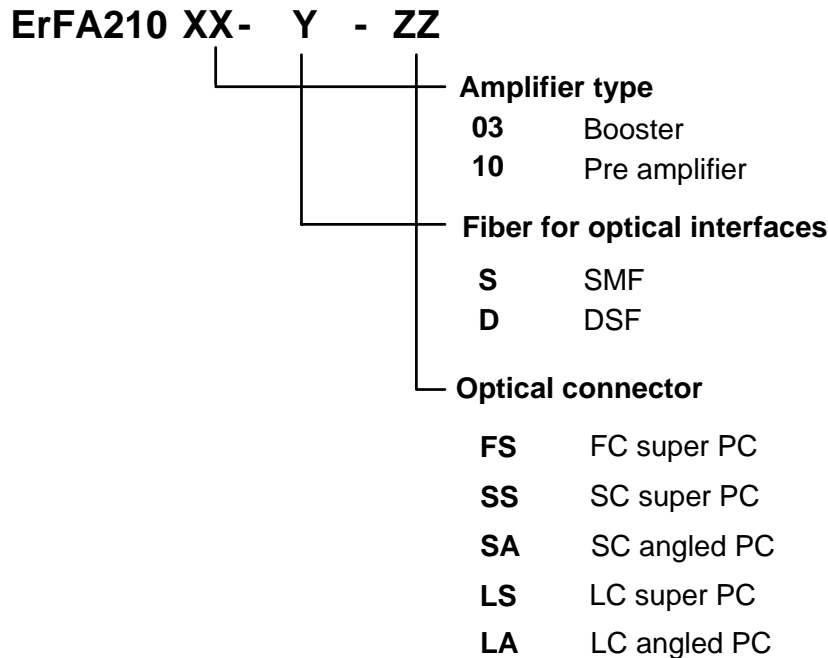
*2: Pin=-10dBm

Electrical pin configuration

PIN No.	Description	PIN No.	Description
1	Case ground of monitor PD and pump	11	Cooler anode
2	Input monitor cathode	12	Cooler anode
3	Input monitor anode	13	Cooler anode
4	Output monitor cathode	14	Cooler cathode
5	Output monitor anode	15	Cooler cathode
6	Thermistor	16	Cooler cathode
7	Pump laser anode	17	Case ground of monitor PD and pump
8	Pump laser anode	18	Thermistor
9	Pump laser monitor cathode	19	Pump laser cathode
10	Pump laser monitor anode	20	Pump laser cathode

The electrical connector is a male 20pin. The spacing is 2mm. The shape is 0.5mm square.

Ordering information



Safety information



Furukawa Electric reserves the right to improve, enhance and modify the features and specifications of FITEL products without prior notifications.



FURUKAWA ELECTRIC CO., LTD.

Japan
Head Office
 2-2-3, Marunouchi
 Chiyoda-ku
 Tokyo 100-8322, JAPAN
 Tel: +81-3-3286-3253
 Fax: +81-3-3286-3978
<http://www.furukawa.co.jp>
 Email:comsales@ho.furukawa.co.jp

North America
OFS Fitel, LLC
 Specialty Photonics Division
 25 Schoolhouse Road
 Somerset, NJ 08873 USA
 Tel: +1-732-748-7402
 Fax: +1-732-748-7436
<http://www.SpecialtyPhotonics.com>
 E-mail:info@SpecialtyPhotonics.com

Europe
Furukawa Electric Europe Ltd.
 3rd Floor, Newcombe House
 43-45 Notting Hill Gate
 London W11 3FE, UK
 Tel: +44-20-7221-6000
 Fax: +44-20-7313-5310
<http://www.furukawa-fitel.co.uk>
 E-mail:sales@furukawa-fitel.co.uk

ASIA
Furukawa Electric Hong Kong Ltd.
 Suite 2606, Shell Tower,
 Times Square,1 Matheson Street,
 Causeway Bay, Hong Kong
 Tel: 852-2512-8938
 Fax: 852-2512-9717
<http://www.fehk.com.hk/>
 E-mail: guest@fehk.cn